

TRITON Customer Instruction Sheet

KIT NO.:
07837

DESCRIPTION

REV 0

DRAWN BY:

TF

DRAWING NO.:

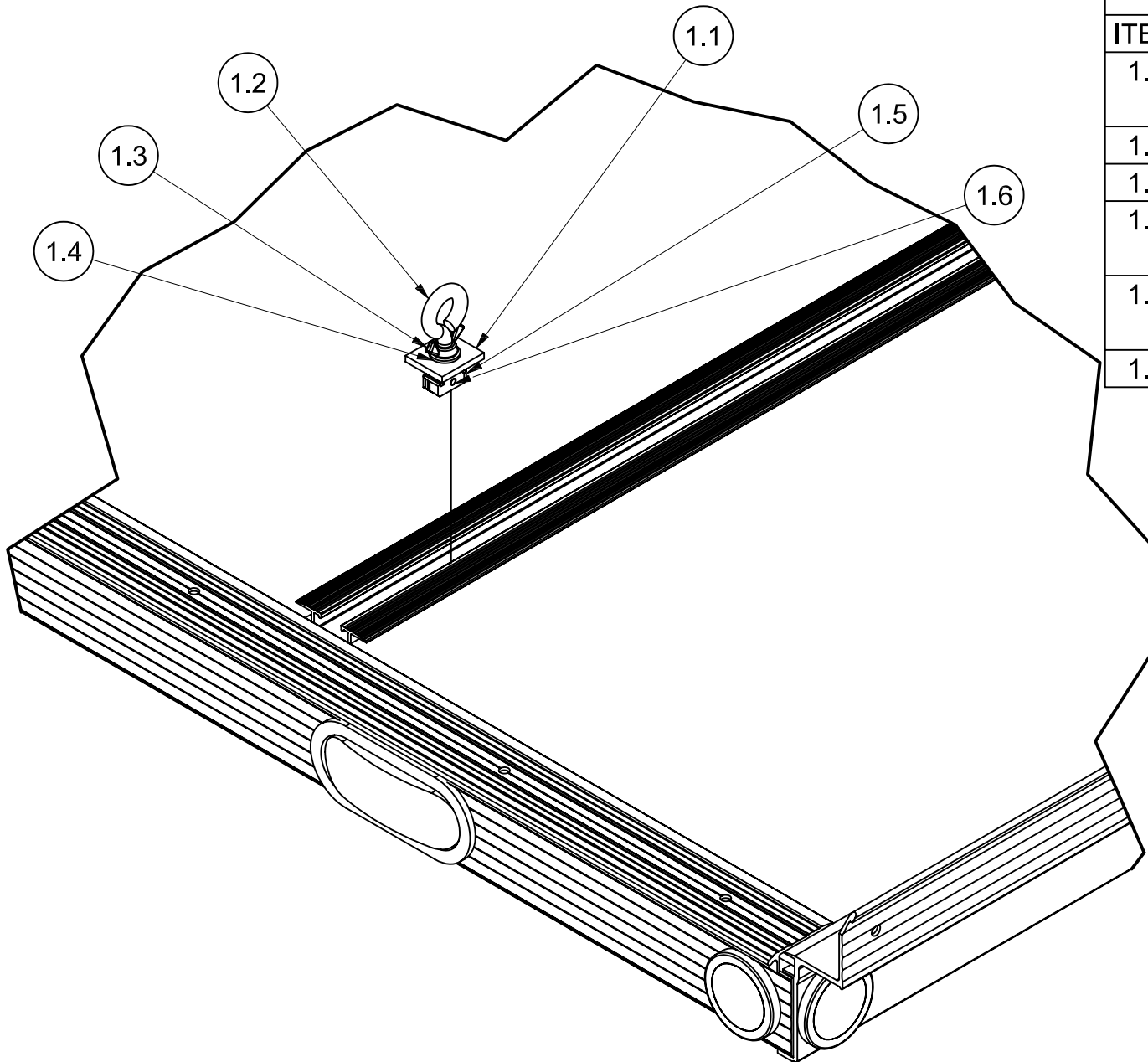
QUICK SLIDE TIE DOWN

DATE:
7-6-06

07854

Parts List

ITEM	PART N	DESCRIPTION	QTY
1.1	02399	REINFORCEMENT, AXLE	2
1.2	07838	BOLT, EYE 1/2-13 X 2 Z	2
1.3	07769	NUT, WING 1/2-13 Z	2
1.4	07853	WASHER, BELLEVILLE 1/2 Z	2
1.5	07728	KEEPER, TIE DOWN ZINC	2
1.6		SET SCREW, 1/4-20	1



TO USE THE REAR TIE DOWN, INSERT INTO QUIK SLIDE CHANNEL AS SHOWN.

TURN ASSEMBLY 1/4 TURN CLOCKWISE AND TIGHTEN WING NUT. BE SURE THAT THE LOCKING GROOVES ARE ENGAGED WITH QUIK SLIDE CHANNEL.

BEFORE TOWING BE SURE TO TIGHTEN TIE DOWN ASSEMBLY TO PREVENT DAMAGE TO LOAD.