

# TRITON Customer Instruction Sheet

KIT NO.:  
07834  
07835

DESCRIPTION

TIE DOWN MOUNT FLUSH & RECESSD

DRAWN BY:

TF

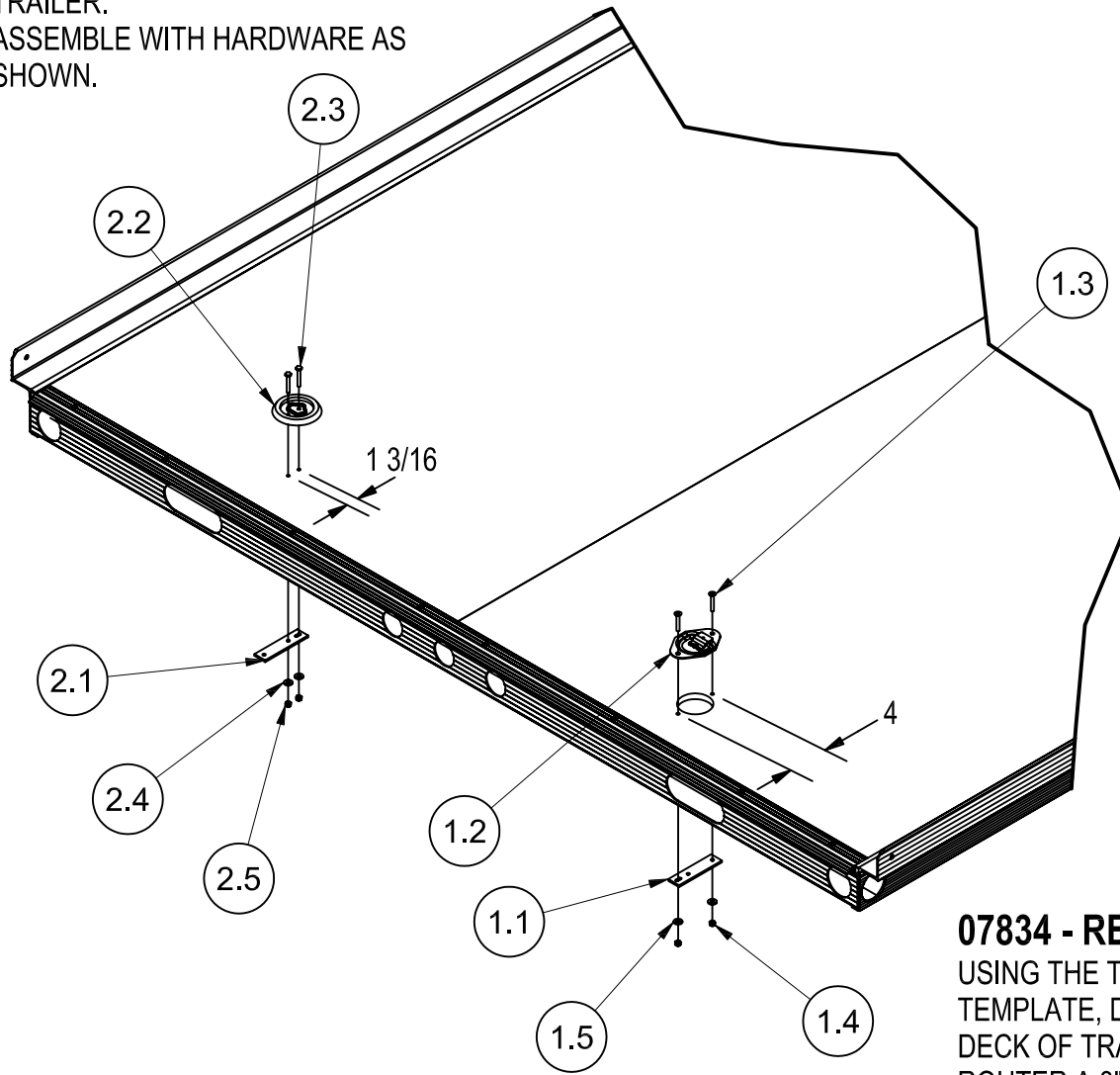
DATE:  
7-6-06

DRAWING NO.:

07836

## 07835 - FLUSH MOUNT KIT

USING THE TIE DOWN STRAP (07833)  
AS A TEMPLATE, DRILL TWO 9/32  
HOLES 1-3/16" APART IN DECK OF  
TRAILER.  
ASSEMBLE WITH HARDWARE AS  
SHOWN.



## 07834 - RECESSED MOUNT KIT

USING THE TIE DOWN STRAP (07833) AS A  
TEMPLATE, DRILL TWO 9/32 HOLES 4" APART IN  
DECK OF TRAILER.  
ROUTER A 3" DIAMETER HOLE CENTERED  
BETWEEN THE 9/32 HOLES.  
ASSEMBLE WITH HARDWARE AS SHOWN.

### Parts List

ITEM	PART N	DESCRIPTION	QTY
1	07834	KIT, TIE DOWN MOUNT RECESSED	1
1.1	07833	STRAP, TIE DOWN RING	2
1.2	07812	TIE DOWN, 1200 #	2
1.3	06112	SCREW, PHILLIPS 1/4-20 X 1 3/4 SS	4
1.4	03671	NUT, HEX 1/4-20 LOC Y/Z	4
1.5	03418	WASHER, FLAT 1/4 Y/Z	4
2	07835	KIT, TIE DOWN MOUNT FLUSH	1
2.1	07833	STRAP, TIE DOWN RING	2
2.2	07813	TIE DOWN, 1000# W/TRIM	2
2.3	09572	BOLT, HHCS 1/4-20 X 1 3/4 Y/Z	4
2.4	03418	WASHER, FLAT 1/4 Y/Z	4
2.5	03671	NUT, HEX 1/4-20 LOC Y/Z	4